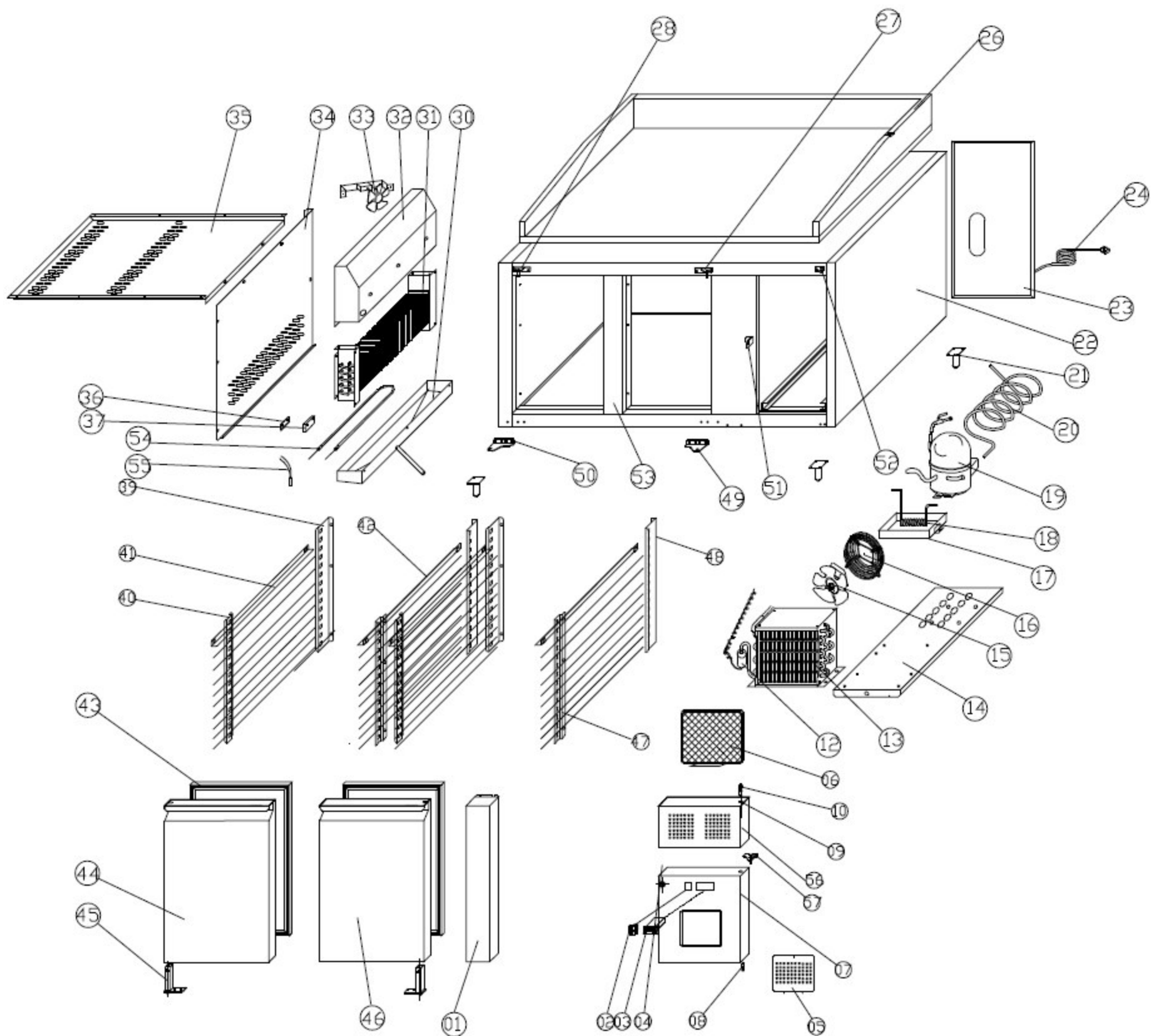


# Explosionszeichnung

**Kühltisch  
Pizza 2600**



KBS Gastrotechnik GmbH - Johannes-Kepler-Str. 14 - 55129 Mainz



**SPARE PARTS LIST OF**

| <b>NO.</b> | <b>SUPPLIER CODE</b> |                           | <b>MODEL</b>         | <b>QTY.</b> |
|------------|----------------------|---------------------------|----------------------|-------------|
| 1          | GN2100TN.01          | Fixed Front Panel         |                      | 1PC         |
| 2          | GN650BT.16C          | Thermostat                | DIXELL-XR06CX        | 1PC         |
| 3          | S900.01              | Main Switch               | S900                 | 1PC         |
| 4          | GN2100TN.86          | Lock                      | S900左S900左S900左S900左 | 1PC         |
| 5          | G-GN2100(L149)       | Air Flow Window           |                      | 1PC         |
| 6          | U-GN2100TN.03N       | Filter                    |                      | 1PC         |
| 7          | GN2100TN.02L15       | Front Panel               |                      | 1PC         |
| 8          | GN2100TN.03          | Hinge Axis                | Φ7                   | 2PCS        |
| 9          | GN2100TN.07          | Bushing                   | Φ7                   | 4PCS        |
| 10         | GN2100TN.06          | Nut                       | M5不锈钢M5不锈钢M5不锈钢      | 2PCS        |
| 12         | GN70TN.23            | Filter Drier              | 20g                  | 1PC         |
| 13         | GN2100TN.08          | Condenser                 |                      | 1PC         |
| 14         | GN2100TN.09          | Unit Board                |                      | 1PC         |
| 15         | S900.37              | Codenser Fan              | BD01-01/A73          | 1PC         |
| 16         | U-GN2100.35          | Basket Guard Grills       | U-GN2100TN           | 1PC         |
| 17         | GN2100TN.10          | Water Box                 |                      | 1PC         |
| 18         | GN2100TN.11          | Evaporate Pipe            | Φ6                   | 1PC         |
| 19         | G-S903.01            | Compressor(R600a)Compre   | ZANUSS-HPKD190A      | 1PC         |
| 20         | G-GN2100TN.13        | Suction Pipe              | Φ8                   | 1PC         |
| 21         | GN650TN.07           | FEET                      | H=150                | 4PCS        |
| 22         | PA2100TN.1           | Body                      |                      | 1PC         |
| 23         | GN2100TN.18          | Unit Room Cover           |                      | 1PC         |
| 24         | S900.47              | Plug                      |                      | 1PC         |
| 26         | PZ2600TN.01          | Top                       |                      | 1PC         |
| 27         | GN2100TN.65R         | Door Up Hinge Right       |                      | 1PC         |
| 28         | GN2100TN.65L         | Door Up Hinge Left        |                      | 1PC         |
| 30         | GN2100TN.20          | Evaporator Water Pan      |                      | 1PC         |
| 31         | GN2100TN.21          | Evaporator                |                      | 1PC         |
| 32         | G-GN2100TN.22        | Fan Support               |                      | 1PC         |
| 33         | G-GN2100TN.11        | Circuit Fan               | EC-2P                | 1PC         |
| 34         | G-PA2100TN.03        | Evaporator Cover          |                      | 1PC         |
| 35         | PA2100TN.4           | Air Flow Conduct Board    |                      | 1PC         |
| 36         | GN650TN.12           | Sensor Fixed Clip         |                      | 1PC         |
| 37         | GN650TN.17           | Probe Padding             |                      | 1PC         |
| 39         | PA2100TN.5L          | Back Support Left         |                      | 2PCS        |
| 40         | PA2100TN.7L          | Front Support Left        |                      | 2PCS        |
| 41         | PA2100TN.6L          | Guide Left                |                      | 14PCS       |
| 42         | PA2100TN.6R          | Guide Right               |                      | 14PCS       |
| 43         | PA2100TN.9           | Gasket                    |                      | 2PCS        |
| 44         | PA2100TN.10L         | Door ( Door With Handle ) |                      | 1PC         |
| 45         | GN650TN.14           | Door Spring Hinge         |                      | 2PCS        |
| 46         | PA2100TN.10R         | Door ( Door With Handle ) |                      | 1PC         |
| 47         | PA2100TN.7R          | Front Support Right       |                      | 2PCS        |
| 48         | PA2100TN.5R          | Back Support Right        |                      | 2PCS        |
| 49         | GN2100TN.12L         | Door Hinge Left           |                      | 1PC         |
| 50         | GN2100TN.12R         | Door Down Hinge Right     |                      | 1PC         |

|    |               |                         |          |       |
|----|---------------|-------------------------|----------|-------|
| 51 | GN2100TN.15   | Lock Hook               |          | 1 PCS |
| 52 | GN2100TN.14U  | Front Panel Up Hinge    |          | 1PC   |
| 53 | GN2100TN.77   | Middle Bridge           |          | 1PC   |
| 54 | G-GN2100TN.12 | Defrost Heating Element |          | 1PC   |
| 55 | GN2100BT.10   | Protector For Heating   | 10A/65°C | 1PC   |
| 56 | GN2100TN.78   | UP PANNEL               |          | 1PC   |
| 57 | GN2100TN.79   | MIDDLE HINGE            |          | 1PC   |