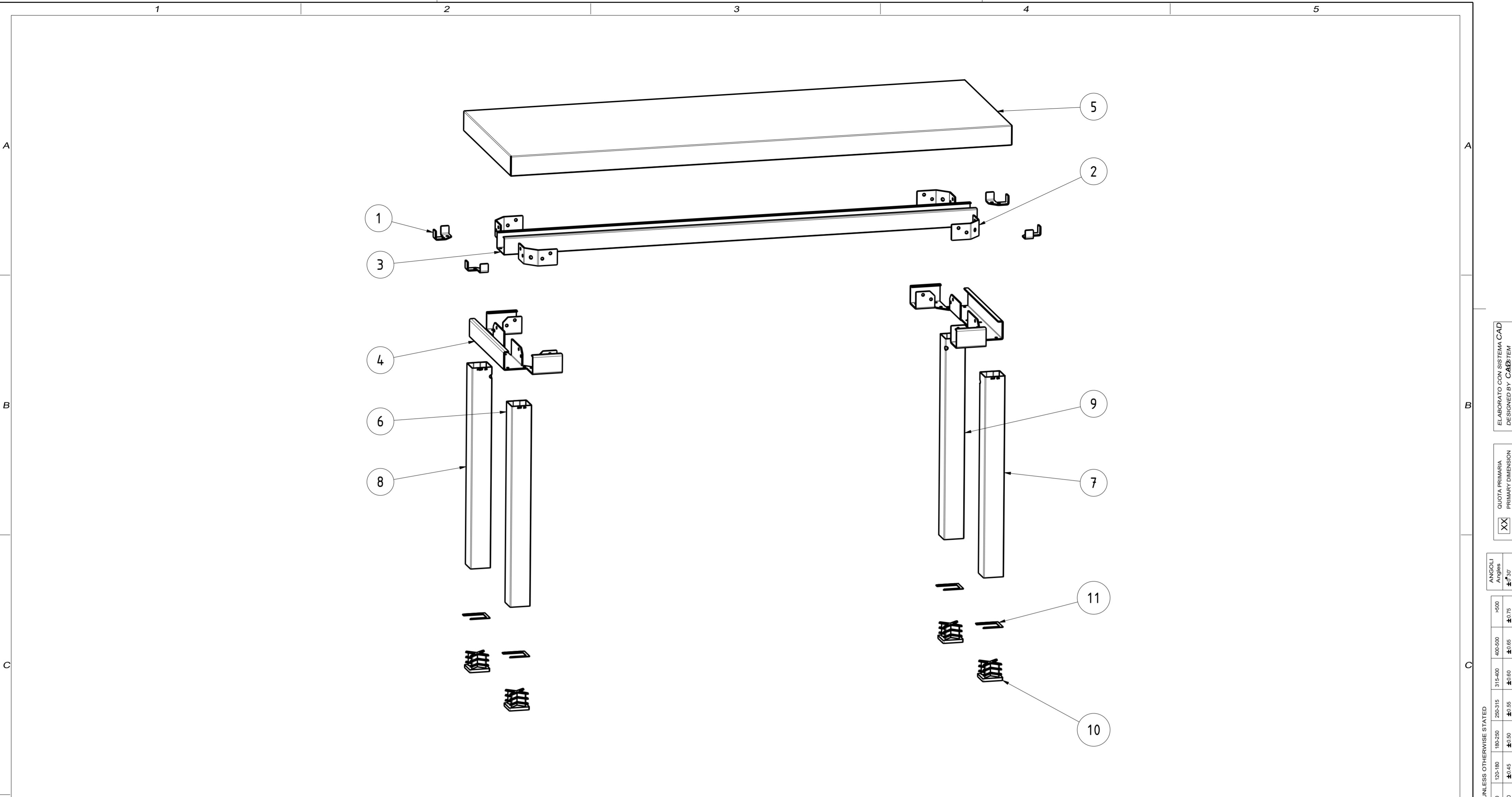


# EXPLOSIONSZEICHNUNG



KBS Gastrotechnik GmbH – Schoßbergstraße 26 – 65201 Wiesbaden



11	RA11	4	STAFFA FISSAGGIO AL TAVOLO	FIXING BRACKET
10	QA40	4	COPRITESTA 40x40x6	PLASTIC HEAD COVER
9	NT3005	1	GAMBA POST DX H40 1FORO TAV RIP SINGOLO	RIGHT REAR LEG SINGLE SUPPORT SHELF H40
8	NT3004	1	GAMBA POST SX H40 1FORO TAV RIP SINGOLO	LEFT REAR LEG SINGLE SUPPORT SHELF H40
7	NT3003	1	GAMBA ANT DX H40 1FORO TAV RIP SINGOLO	RIGHT FRONT LEG SINGLE SUPPORT SHELF H40
6	NT3002	1	GAMBA ANT SX H40 1FORO TAV RIP SINGOLO	LEFT FRONT LEG SINGLE SUPPORT SHELF H40
5	NT2790	1	PIANO APPOGGIO TOP 100x35	SUPPORT SHELF 100x35
4	NT1758	2	SUPPORTO LATERALE PER FIX. GAMBE P35	LATERAL SUPPORT FIXING LEGS P35
3	NT818	1	OMEGA RINF. PIANO TOP L100	SHELF REINFORCEMENT L100
2	NT233	4	RINFORZO ANGOLO SUPP. LATER.	SIDE CORNER REINFORCEMENT
1	NT232	4	PIASTRINO SPESSORE RINF. ANGOLO CORN.	CORNER REINFORCEMENT
ITEM NO	PART NUMBER	QTY	DESCRIPTION	

DATA DATE	MODIF. N. MODIF. NO.	DESCRIZIONE MODIFICHE MODIFICATION DESCRIPTION	DISegnATO DRAWN BY	APPROVATO APPROVED
MODELLO RIPIANO DI APPOGGIO SINGOLO GAMBE QUADRE 100x35 h40		DISIGNO N. DRAWING NO.	DSRAS10354	SCALA SCALE
MODEL SINGLE TOP SQUARE LEGS 100x35 h40		DISIGNATO DRAWN BY	M.PAPI	DATA DATE
PARTICOLARE DETAIL SCHEDA TECNICA DATA SHEET		APPROVATO APPROVED	SHEET 3 OF 3	
MATERIALE MATERIAL	AISI 304 - AISI 430	SPESS. THICK.	SOSTITUISCE IL DIS. N. IT REPLACES DRAWING NO.	
FINITURA FINISH		PEZZI N. PIECES NO.	SOSTITUITO DAL DIS. N. REPLACED BY DRAWING NO.	
TRATTAMENTO TREATMENT	COLORE COLOUR	SOSTITUITO DAL DIS. N. REPLACED BY DRAWING NO.		ULTIMA EMISS. LAST EDITION
<b>RISTOPRO</b> PROFESSIONAL CATERING EQUIPMENT		RISTOPRO SRL FRAZ. BORGO TUFICO, 47 FABRIANO (AN) ITALY +39.732.043494 WWW.RISTOPRO.COM		 mm

ELABORATO CON SISTEMA CAD DESIGNED BY CADSTEM  
 QUOTA PRIMARIA PRIMARY DIMENSION XX  
 ANGOLI Angles 30°  
 TOLLERANZA UNLESS OTHERWISE STATED  
 >500 ±0.75  
 400-500 ±0.65  
 315-400 ±0.60  
 250-315 ±0.55  
 180-250 ±0.50  
 120-180 ±0.45  
 80-120 ±0.40  
 50-80 ±0.35  
 30-50 ±0.30  
 10-30 ±0.25  
 5-10 ±0.15  
 0-5 ±0.10  
 LUNGH. E DIAM. LENGTH AND DIAM. FORM.A-2