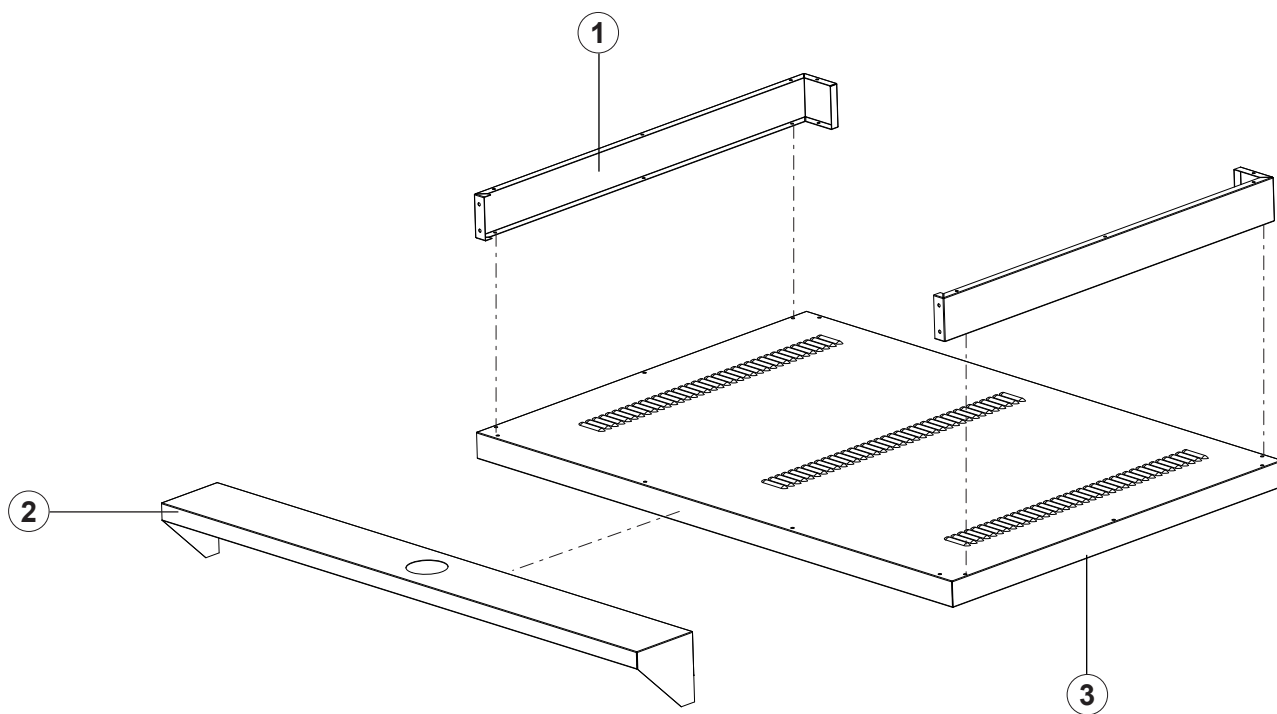
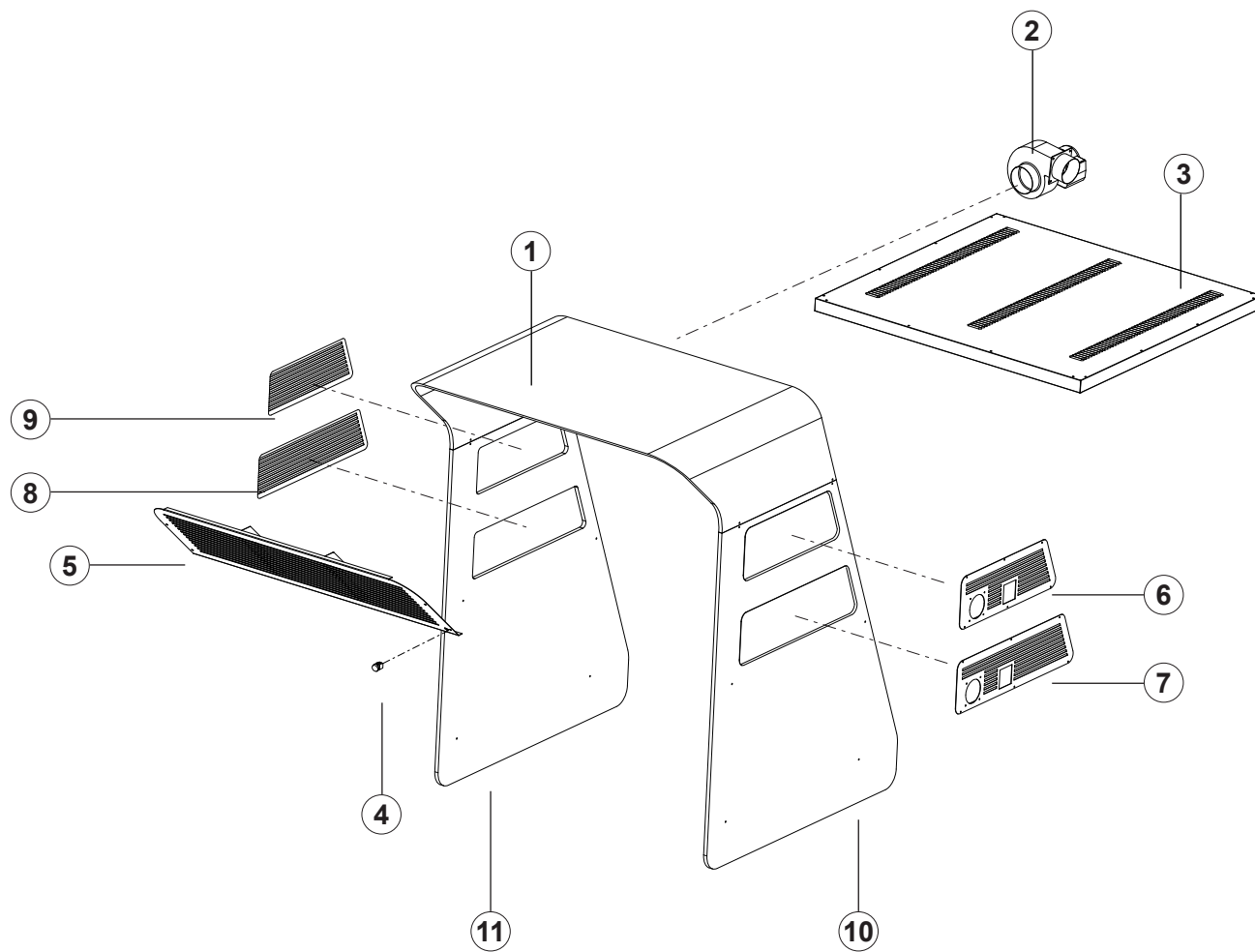


EXPLOSIONSZEICHNUNG

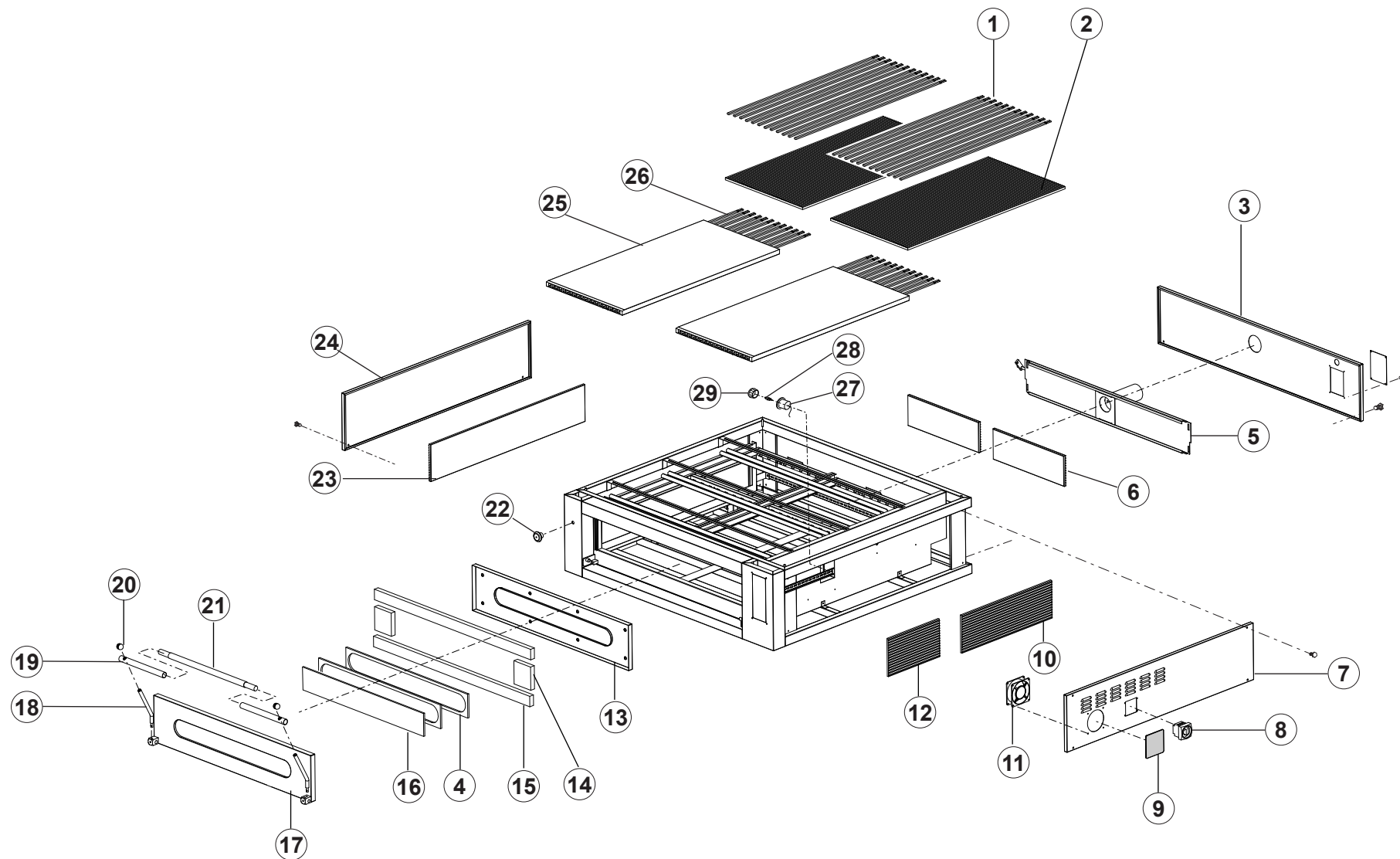


KBS Gastrotechnik GmbH – Schoßbergstraße 26 – 65201 Wiesbaden



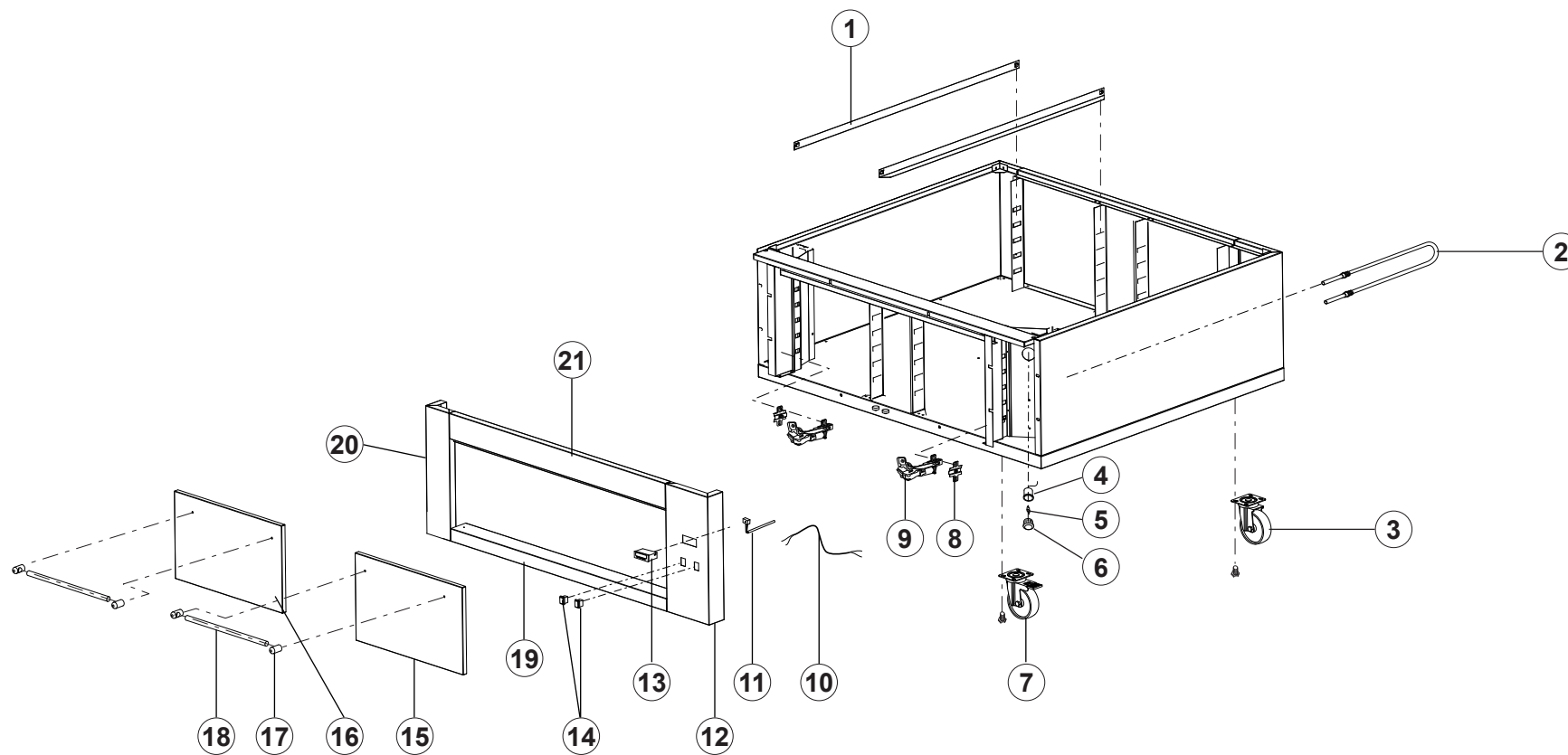


Pos.	Codice	Q.tà	Descrizione	Designation	Note
1	53500104	1	Cappa design	Design Hood	VS 70
1	53500103	1	Cappa design	Design Hood	VS 105
2	85102027	1	Motore	Motor	
3	53101237	1	Pannello girocappa	Panel	VS 70
3	53101235	1	Pannello girocappa	Panel	VS 105
4	86125031	1	Interruttore	Switch	
5	53101287	1	Pannello ispezione	Inspection panel	
6	52900196	1	Griglia superiore DX	Upper right grid	VS 70
6	52900216	1	Griglia superiore DX	Upper right grid	VS 105
7	52900197	1	Griglia inferiore DX	Lower right grid	VS 70
7	52900217	1	Griglia inferiore DX	Lower right grid	VS 105
8	52900195	1	Griglia inferiore SX	Lower left grid	VS 70
8	52900219	1	Griglia inferiore SX	Lower left grid	VS 105
9	52900194	1	Griglia superiore SX	Upper left grid	VS 70
9	52900218	1	Griglia superiore SX	Upper left grid	VS 105
10	52900190	1	Fianco legno DX	Right wooden side	VS 70
10	52900188	1	Fianco legno DX	Right wooden side	VS 105
10	52900191	1	Fianco legno SX	Left wooden side	VS 70
10	52900189	1	Fianco legno SX	Left wooden side	VS 105



Pos.	Codice	Q.tà	Descrizione	Designation	Note
1	59100275	18	Resistenza corazzata 330W CIELO	330W Top heating element	VISOR 70
1	59100245	18	Resistenza corazzata 370W CIELO	370W Top heating element	VISOR 105
2	59800172	2	Refrattario cielo	Top refractory	VISOR 70
2	59800164	2	Refrattario cielo	Top refractory	VISOR 105
3	53101241	1	Pannello posteriore	Back panel	
4	59300282	2	Mat. feltro per vetro	Felt for glass	
5	53101008	1	Assieme pannello fondo camera	Bottom chamber panel assembly	
6	59800153	2	Refrattario posteriore	Back refractory	
6	59800159	2	Refrattario posteriore	Back refractory	
7	53101239	1	Pannello laterale DX	Right side panel	VISOR 70
7	53101238	1	Pannello laterale DX	Right side panel	VISOR 105
8	86125049	1	Interruttore	Switch	
9	85103012	1	Filtro ventola	Fan filter	
10	59800155	1	Refrattario laterale DX posteriore	Lateral right back refractory	VISOR 70
10	59800161	1	Refrattario laterale DX posteriore	Lateral right back refractory	VISOR 105
11	85102008	1	Ventilatore	Fan	
12	59800053	1	Refrattario laterale DX anteriore	Lateral right front refractory	VISOR 70
12	59800017	1	Refrattario laterale DX anteriore	Lateral right front refractory	VISOR 105
13	53000214	1	Sportello retro	Rear door	
14	59300343	2	Fibra sportello	Door fiber	
15	59300342	2	Fibra sportello	Door fiber	
16	58300067	1	Vetro sp 8mm temprato	8mm thick tempered glass	
17	53000215	1	Sportello frontale	Front door	
18	52100034	2	Braccio maniglia	Handle support	
19	58500023	2	Manico laterale	Side handle	
19	58500023	2	Manico laterale Ferro	Iron side handle	
20	81247006	2	Tappo	Plastic cap	
21	58500020	1	Manico legno	Wood handle	

Pos.	Codice	Q.tà	Descrizione	Designation	Note
22	56600029	1	Interruttore	Switch	
23	59800154	1	Refrattario laterale SX	Left refractory side	VISOR 70
23	59800160	1	Refrattario laterale SX	Left refractory side	VISOR 105
24	53101242	1	Pannello laterale SX	Left side panel	VISOR 70
24	53101240	1	Pannello laterale SX	Left side panel	VISOR 105
25	59800151	2	Refrattario platea	Flour refractory	VISOR 70
25	59800162	2	Refrattario platea	Flour refractory	VISOR 105
26	59100230	18	Resistenza corazzata 170W PLATEA	170W Bottom heating element	VISOR 70
26	59100246	18	Resistenza corazzata 230W PLATEA	230W Bottom heating element	VISOR 105
27	86131007	1	Porta lampada alogena	Halogen lamp holder	
28	86130003	1	Lampada alogena 20W 12v	20W 12V halogen lamp	
29	86131005	1	Porta lampada alogena grande vetro piatto	Halogen lamp holder - large flat glass	



Pos.	Codice	Q.tà	Descrizione	Designation	Note
1	52000507	12	Supporto teglie (105X70)	(105X70) Tray support	H=500 - H700
1	52000556	12	Supporto teglie (105X105)	(105X105) Tray support	H=500 - H700
2	59100010	2	Resistenza corazzata	Armoured resistance	H=500 - H700
3	82511030	2	Ruota Ø125 girevole	Ø125 swivel castor	H=500 - H700
4	86131002	1	Porta lampada	Lamp holder	H=500 - H700
5	86130006	1	Lampada 25W	25W lamp	H=500 - H700
6	86133002	1	Vetro copri lampada	Lamp holder glass	H=500 - H700
7	82511004	2	Ruota Ø125 girevole con freno	Ø125 swivel castor with brake	H=500 - H700
8	81244002	4	Cerniera a croce	Cross hinge	H=500 - H700
9	81244001	4	Cerniera	Hinge	H=500 - H700
10	86201012	1	Cavo compensato	Compensated cable	H=500 - H700
11	59500001	1	Termocoppia	Thermocouple	H=500 - H700
12	50600142	1	Montante DX	Right strut	H=500
12	50600141	1	Montante DX	Right strut	H=700
13	87101072	1	Regolatore digitale	Digital regulator	H=500 - H700
14	86125002	2	Interruttore bipolare verde	Bipolar green switch	H=500 - H700
15	53000218	1	Sportello DX cella	Right prover door	H=500
15	53000216	1	Sportello DX cella	Right prover door	H=700
16	53000219	1	Sportello SX cella	Left prover door	H=500
16	53000217	1	Sportello SX cella	Left prover door	H=700
17	52000581	4	Supporto braccio maniglia	Handle arm support	H=500 - H700
18	58500021	2	Manico in legno	Wooden handle	H=500 - H700
19	51800140	1	Traversa inferiore	Lower crosspiece	
20	50600144	1	Montante SX	Left strut	H=500
20	50600143	1	Montante SX	Left strut	H=700
21	51800139	1	Traversa superiore	Upper crosspiece	

