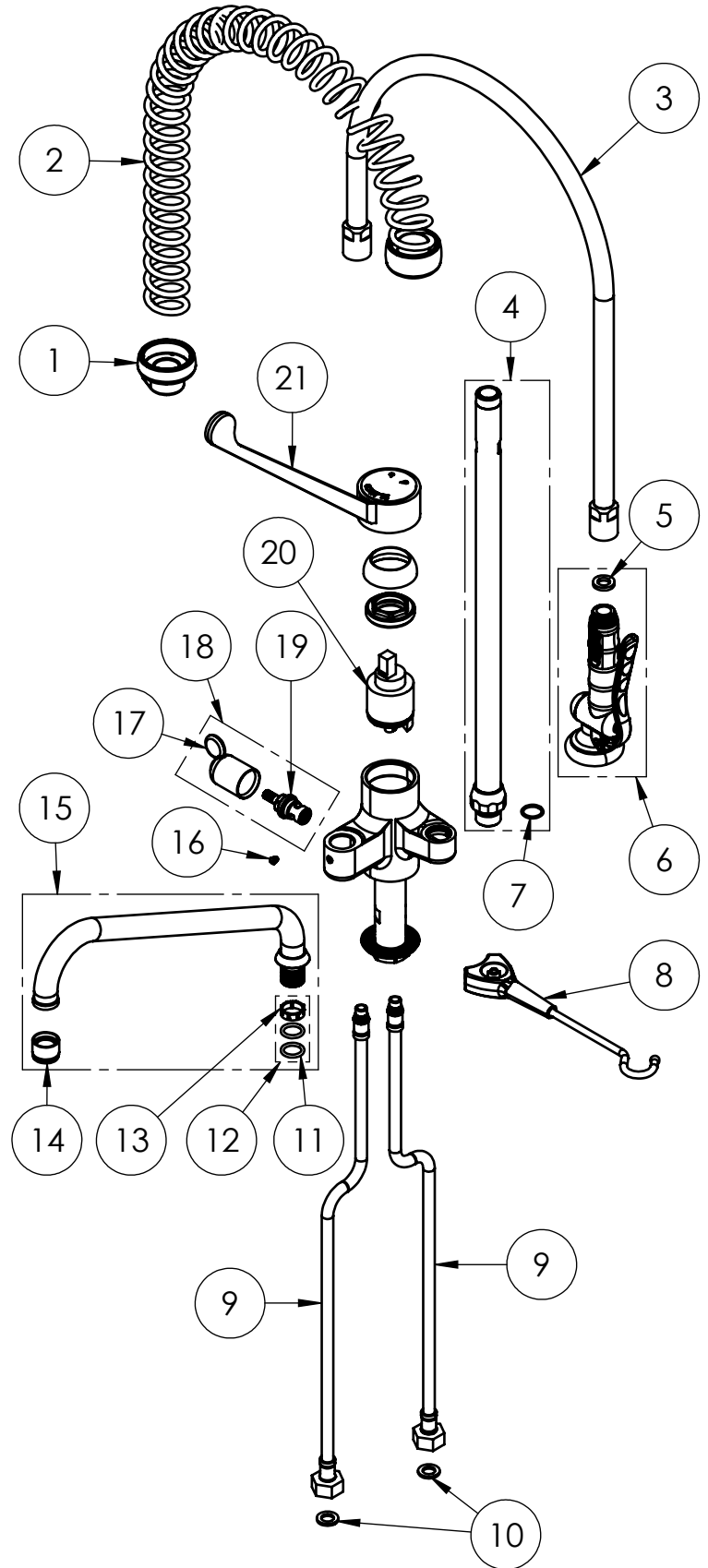


EXPLOSIONSZEICHNUNG



KBS Gastrotechnik GmbH – Schoßbergstraße 26 – 65201 Wiesbaden

ITEM NO.	SALES NO.	DESCRIPTION
1	P628/"color"	SHRINK SPRING SUPPORT (specify the color)
2	P623/"color"	OVERHEAD SPRING SH80 (specify the color)
3	P510	82cm Ø17 F1/2"xF1/2" FLEXIBLE HOSE
4	P624	KL70-80 RISER WITH O-RING
5	P610	GASKET 1/2" Ø18,5x11 sp.3mm, FASIT OMNIA
6	P529/"color"	SPRAY VALVE "BEST SEMI" (specify the color)
7	P076	O-RING 2062 (Ø15.6x1.78), EPDM 70 sh. PEROX
8	P091	SPRAY VALVE HOOK (BLACK)
9	F222	FLEXINOX Cm.45 10x1T x FV1/2+CHECK VALVE
10	P074	FLAT GASKET 1/2" Ø18,5x11 sp.2mm
11	P072	O-Ring 119 (Ø 15,08 x 2,62mm) EPDM 70
12	P613	#2OR+#1 SWIVEL SLEEVE KIT FOR FAUCET/OUTLET
13	P592	SWIVEL SLEEVE
14	P015	STREAM REGULATOR (Ø20 SPOUT)
15	C007B/5L	SWING NOZZLE Ø20x300x90
16	P236	SPOUT SCREW (short)
17	HTC/R	HANDLE W.RED CODED INDEX
18	V0DT/R	COMPLETE HANDLE WITH RED CODED INDEX + CERAMIC HEADWORK
19	V0D0	3/8" CERAMIC HEADWORK (RH)
20	V090	CARTRIDGE Ø40mm W.DISTR.
21	H02K/N	ELBOW OPERATED BLACK LEVER (L.220mm)



PRODUCT COMPLIANCE:

ROHS 2011/65/UE;
REACH 1907/2006;
DVGW Hygiene

TITLE / DESCRIZIONE
SHRINK, 80cm tall, deck mount Pre Rinse Unit. Chrome plated brass single hole; mixing temperature; 105mm long G3/4" mounting shank; G3/8" female inlets with check valves; 300mm swivel nozzle (Ø20); 220mm long sanitary lever; high flow ceramic cartridge; stainless steel riser tube; 14l/min KLARCO P529 spray valve; black details.

DRN / DIS

A.E.

CHD / VER

APPR

SCALE / SCALA

1:6

DATE / DATA

04/01/23

SHEET / PAG

2 of 2

NUMBER / CODICE DIS.

MODEL / PRODOTTO

280N.R081N

This drawing contains proprietary information which is the property of KLARCO S.R.L. without whose written permission it may not be copied, shown or handed to a third party or otherwise used

Questo disegno contiene informazioni di proprietà di KLARCO S.R.L. e senza la sua autorizzazione scritta non può essere copiato, mostrato o ceduto a terzi o in qualsiasi altro modo usato