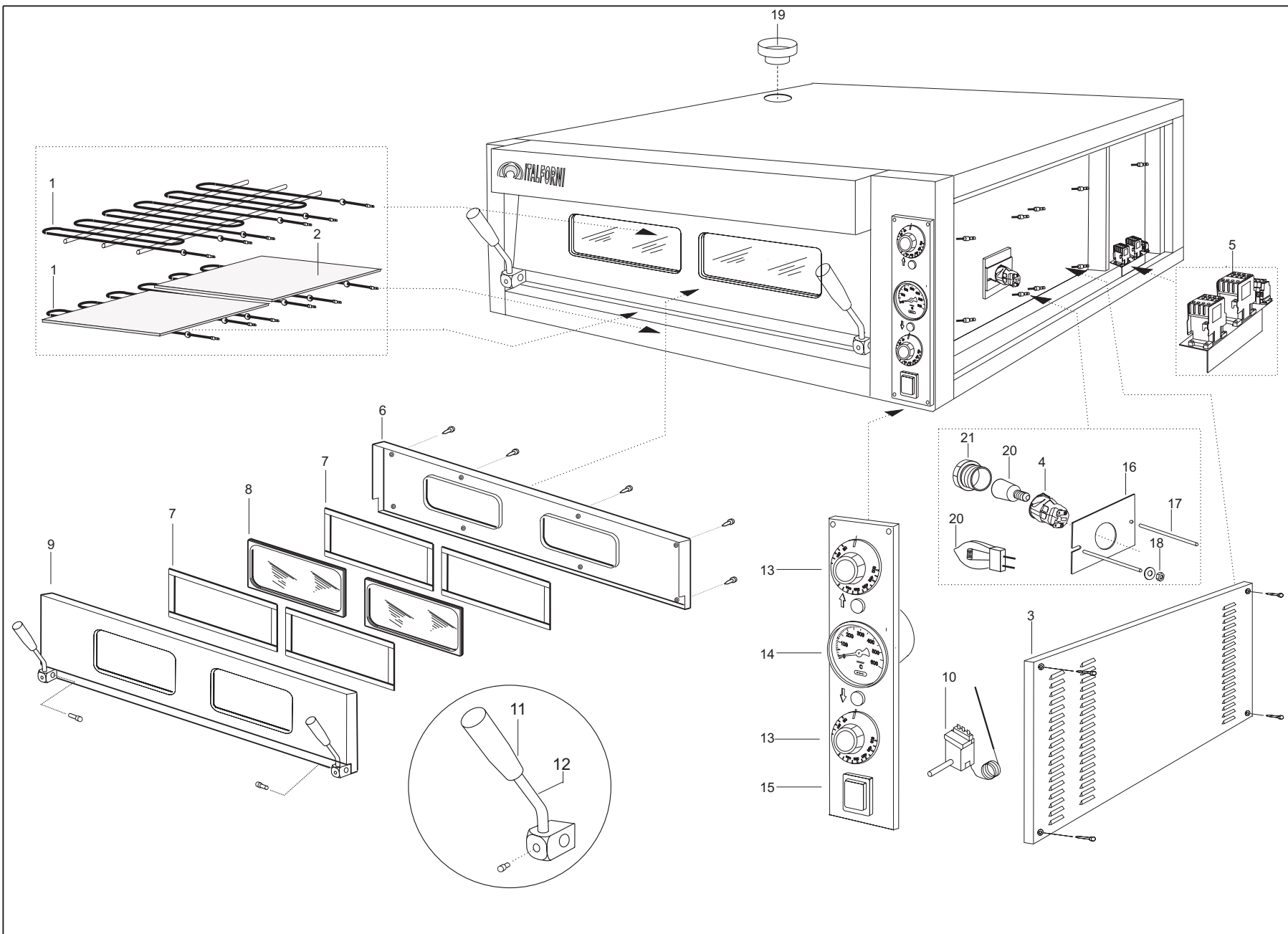


EXPLOSIONSZEICHNUNG



KBS Gastrotechnik GmbH – Schoßbergstraße 26 – 65201 Wiesbaden



Rif	Code	Qnt
1	59100004	6
2	52300003	2
3	000000	1
4	86131007	1
5	86112002	2
6	53000010	1
7	57700007	4
8	58300001	2
9	53000009	1
10	86301001	2
11	81229001	2
12	52100001	2
13	81229005	2
14	86501001	1
15	86125003	1
16	000000	1
17	000000	2
18	000000	2
19	57900001	1
20	86130003	1
21	86133004	1
22	86132001	1
23	86103005	1
24	86208001	1
24-A	86208002	1
24-C	86211001	1
24-C	86123001	1
25	00000000	1

TKC INOX

Ref.	Code	Description
20	86130003	HALOGEN BULB 12V
4	86131007	HALOGEN LAMP HOLDER
21	86133004	GLASS FOR HALOGEN BULB-SMALL
23	86103005	TRANSFORMER
6	53000010	ALUMINATE INTERIOR DOOR
9	53000009	STAINLESS STEEL EXTERIOR DOOR
1	59100004	HEATING ELEMENT
8	58300001	TEMPERED GLASS 8MM
12	52100001	ARM FOR DOOR OPENING
11	81229001	HANDLE FOR DOOR OPENING
19	57900001	CHIMNEY CONNECTION
2	52300003	REFRACTORYPLATE 985X485X14
10	86301001	AT THERMOSTAT
13	81229005	RED KNOB FOR THERMOSTAT
14	86501001	THERMOMETER
15	86125003	GREEN SHINING SWITCH
22	86132001	SHINING WARNING LIGHT
5	86112002	CONTACTOR 3RT1023-1AL20
24	86208001	BROWN TERMINAL
24-A	86208002	BLUE TERMINAL
24-B	86211001	TERMINAL COVER
24-C	86123001	TERMINALS CLAMPING
7	57700007	KIT SEALS FOR GLASS DOOR

Complete 86131004