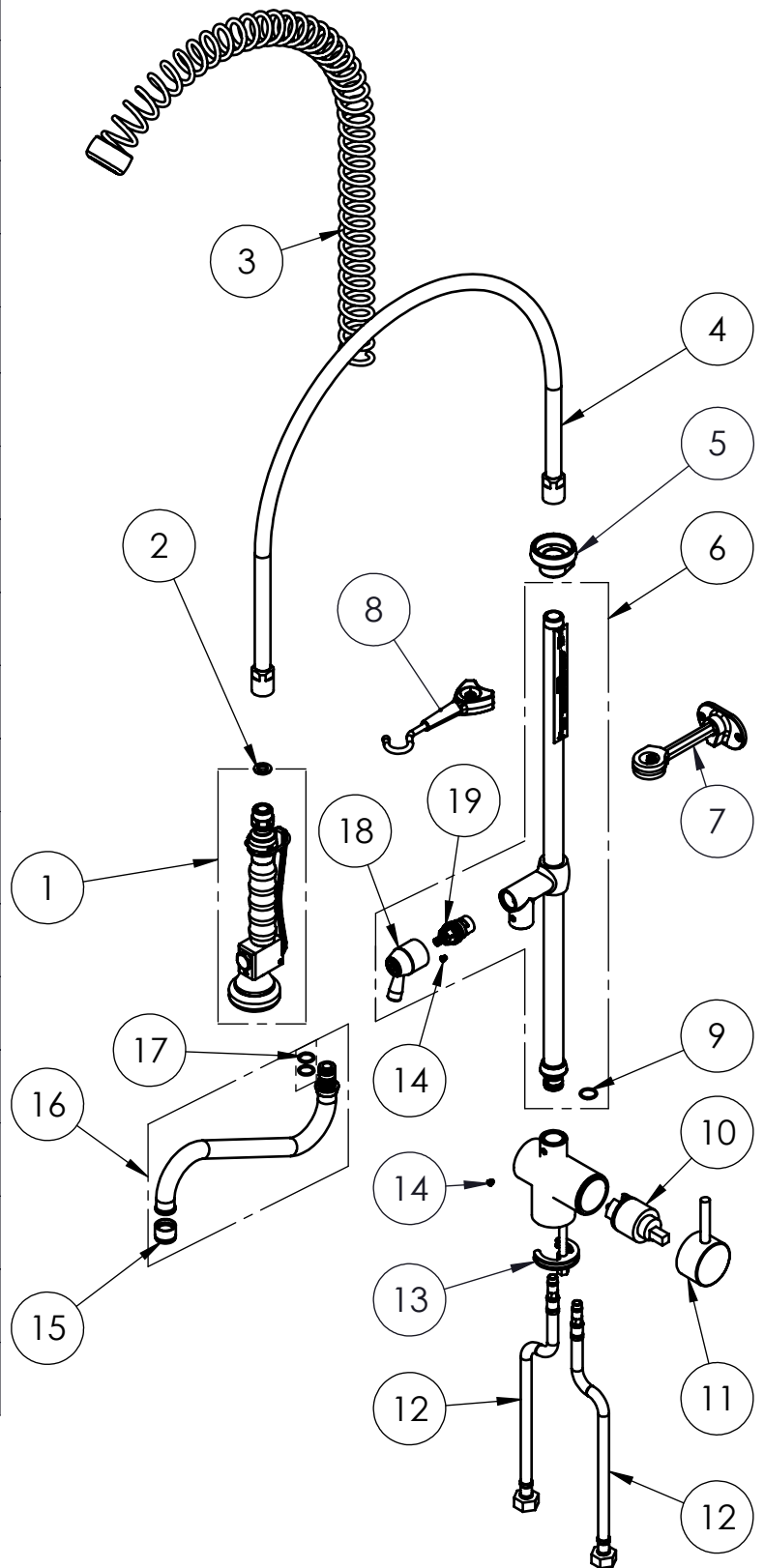


EXPLOSIONSZEICHNUNG



KBS Gastrotechnik GmbH – Schoßbergstraße 26 – 65201 Wiesbaden

| ITEM NO. | SALES NO. | DESCRIPTION |
|----------|-----------|--|
| 1 | P020 | SPRAY VALVE "NEW" BLACK |
| 2 | P074 | FLAT GASKET 1/2" Ø18,5x11 sp.2mm |
| 3 | P005 | OVERHEAD SPRING "GREY" |
| 4 | P163 | 100cm Ø17 F1/2"xF1/2" FLEXIBLE HOSE |
| 5 | P090 | SPRING SUPPORT |
| 6 | P266/F1 | 650mm G1/2" RISER W.ADD ON TAP AND O-RING |
| 7 | P092 | Wall Bracket L.115mm (BLACK) |
| 8 | P091 | SPRAY VALVE HOOK (BLACK) |
| 9 | P076 | O-RING 2062 (Ø15.6x1.78), EPDM 70 PEROX |
| 10 | V090 | CARTRIDGE Ø40mm W.DISTR. |
| 11 | H045 | CHROME PLATED LEVER |
| 12 | F011 | L.35cm Flex S.S. Hose Ø12-DN8 Female G1/2" |
| 13 | P348 | FIXING KIT 2960 |
| 14 | P236 | SPOUT SCREW (short) |
| 15 | P015 | STREAM REGULATOR OUTLET (Ø20 SPOUT) |
| 16 | C0S1 | SWING NOZZLE Ø20x250 h.70 |
| 17 | P197 | O-RING 14x2 EPDM 70 |
| 18 | H021 | DIVERTER KNOB |
| 19 | V0C0/D | 1/2" CERAMIC HEADWORK (RH) |



TITLE / DESCRIZIONE

Single hole, deck-mount, mixing temperature monoblock faucet Pre-Rinse Unit with side short lever, riser add-on faucet with 250mm swivel nozzle (Ø 20mm). fixing kit, G1/2" female inlets, ceramic cartridge and G1/2" ¼ turn ceramic headwork, riser tube – stainless steel, brass, chrome plated, 16L/min KLARCO "NEW" spray valve.

This drawing contains proprietary information which is the property of KLARCO S.R.L. without whose written permission it may not be copied, shown or handed to a third party or otherwise used

Questo disegno contiene informazioni di proprietà di KLARCO S.R.L. e senza la sua autorizzazione scritta non può essere copiato, mostrato o ceduto a terzi o in qualsiasi altro modo usato

DRN / DIS

SCALE / SCALA 1:8

NUMBER / CODICE DIS.

CHD / VER

DATE / DATA 28/02/2020

MODEL / PRODOTTO

3S.2969.S1.85P020

APPR

SHEET / PAG 2 of 2