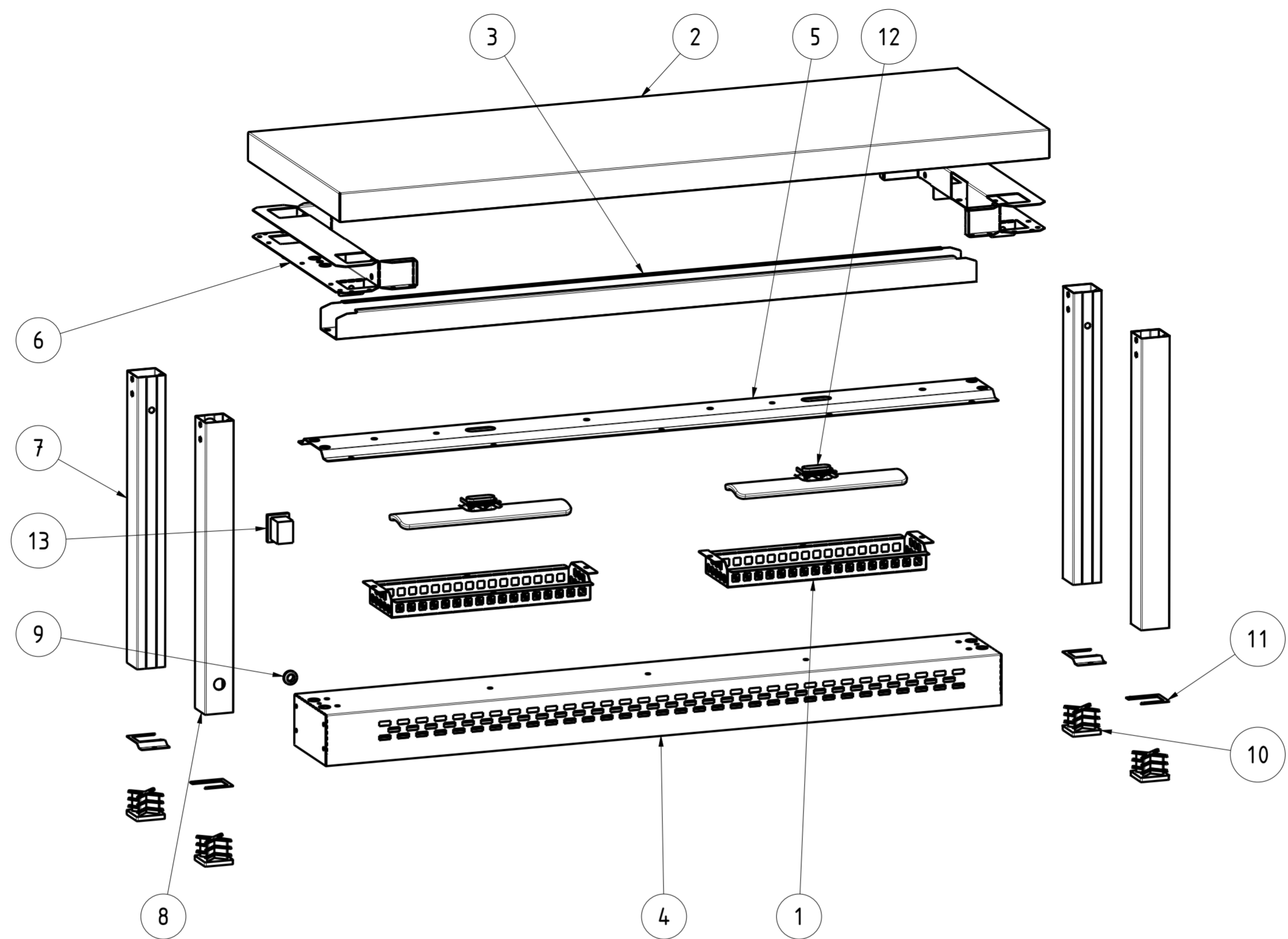


EXPLOSIONSZEICHNUNG



KBS Gastrotechnik GmbH – Schoßbergstraße 26 – 65201 Wiesbaden



13	TASTO_ON_OFF_SCALDAVIVANDE	1	TASTO_ON_OFF	ON/OFF BUTTON
12	RESISTENZA	2	RESISTENZA	RESISTENCE
11	RA11	4	STAFFA FISSAGGIO AL TAVOLO	FIXING BRACKET
10	QA40	4	COPRITESTA 40x40x6	PLASTIC HEAD COVER
9	PASSACAVO_9_5	1	PASSACAVO 9-5	FAIRLEAD 9-5
8	NT14162	1	GAMBA QUADRA H40 PASSACAVO SCALDAVIVANDE	FAIRLEAD SQUARE LEG H40
7	NT14161	3	GAMBA QUADRA H40 PER SCALDAVIVANDE	SQUARE LEG H40
6	NT3321	2	SUPP.GAMBE QUADRE INFER.SCALDAVIVANDE P35	LOWER SQUARE LEGS SUPPORT P35
5	NT1417	1	100 2R	INTERNAL RESISTANCE SUPPORT L120
4	NT1416	1	SUPP. RESISTENZA ESTERNO SCALDAVIVANDE L100	SUPPORT FOR EXTERNAL HEATING WARMER L100
3	NT1415	1	100_INFERIORE	UPPER REINFORCEMENT L120
2	NT1414	1	RIPIANO SUPERIORE SCALDAVIVANDE 100x35	UPPER SHELF 100x35
1	NT774	2	COPERTURA RESISTENZA	RESISTENCE COVER
ITEM NO	PART NUMBER	QTY	DESCRIPTION	

DATA DATE	MODIF.N. MODIF.NO.	DESCRIZIONE MODIFICHE MODIFICATION DESCRIPTION	DISegnATO DRAWN BY	APPROVATO APPROVED
MODELLO MODEL	RIPIANO DI APPOGGIO SING. RISC. GAMBE QUAD. 100x35 h40 SINGLE TOP WITH HEATING SQUARE LEGS 100x35 h40		DISegno N. DRAWING NO. DSRASR10354	SCALA SCALE -
PARTICOLARE DETAIL	SCHEDE TECNICA DATA SHEET		DISegnATO DRAWN BY M.PAPI	DATA DATE
MATERIALE MATERIAL	AISI 304 - AISI 430	SPESSE THICK.	APPROVATO APPROVED	SHEET 3 OF 3
FINITURA FINISH		PEZZI N. PIECES NO.	SOSTITUISCE IL DIS. N. IT REPLACES DRAWING NO.	ULTIMA EMISS. LAST EDITION
TRATTAMENTO TREATMENT	COLORE COLOUR	SOSTITUITO DAL DIS. N. REPLACED BY DRAWING NO.		
		RISTOPRO SRL FRAZ. BORGO TUFICO, 47 FABRIANO (AN) ITALY +39.732.043494 WWW.RISTOPRO.COM		 mm

ELABORATO CON SISTEMA CAD
 DESIGNED BY CADSTEM
 QUOTA PRIMARIA
 PRIMARY DIMENSION
 XX
 ANGOLI
 Angles
 >30°
 >500
 ±0.75
 400-500
 ±0.65
 315-400
 ±0.60
 250-315
 ±0.55
 120-180
 ±0.45
 80-120
 ±0.40
 50-80
 ±0.35
 30-50
 ±0.30
 10-18
 ±0.20
 5-10
 ±0.15
 0-5
 ±0.10
 LUNGHEZZE E DIAM.
 LENGTH AND DIAM.
 TOLLERANZA UNLESS OTHERWISE STATED
 TOLERANCE UNLESS OTHERWISE STATED
 FORM.A-2