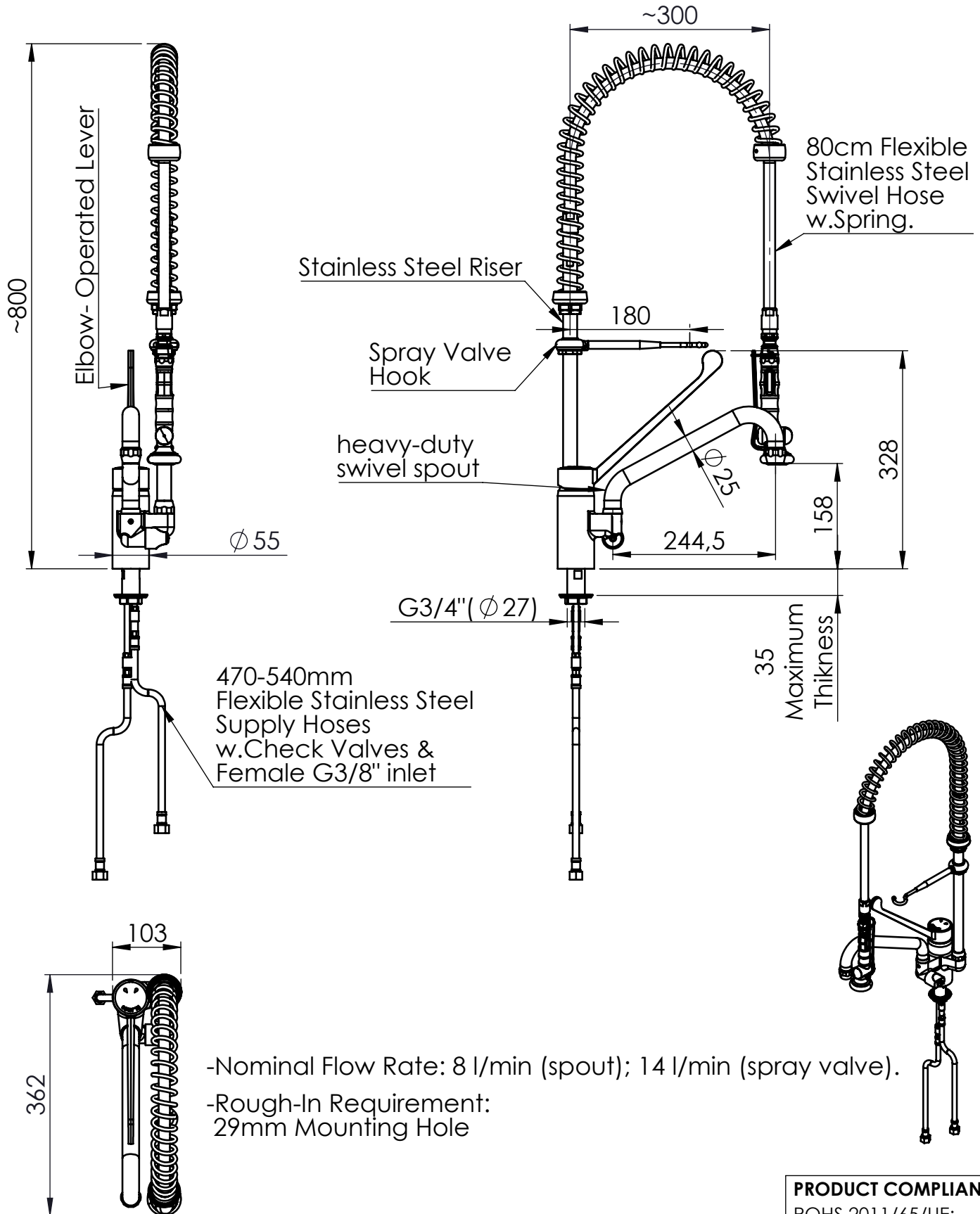


EXPLOSIONSZEICHNUNG



KBS Gastrotechnik GmbH – Schoßbergstraße 26 – 65201 Wiesbaden

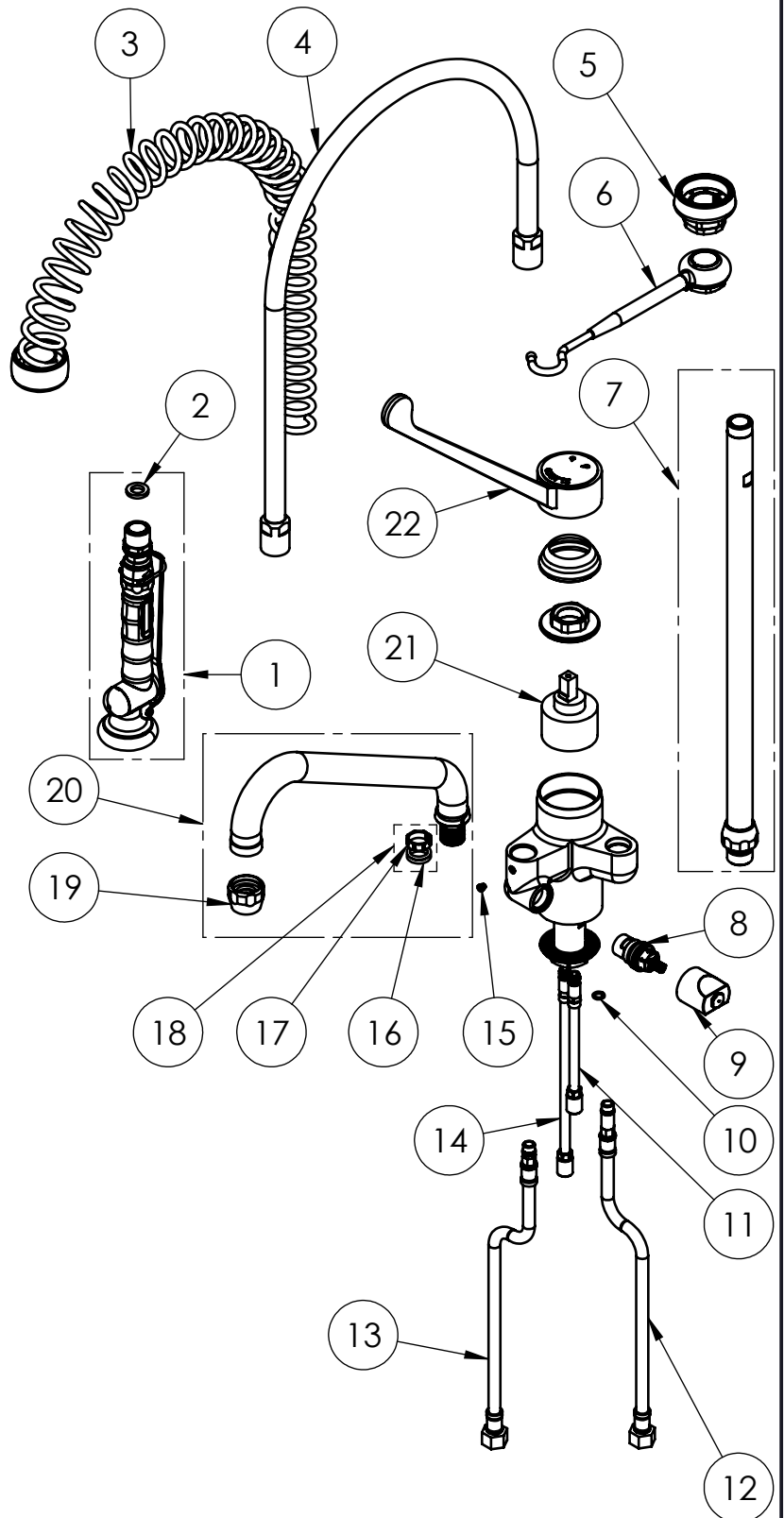


PRODUCT COMPLIANCE:

ROHS 2011/65/UE;
REACH 1907/2006;
KTW-BWGL

TITLE / DESCRIZIONE 80 cm-tall SHRINK Single hole, mixing temperature, deck mount Pre-Rinse Unit with 220mm long Sanitary Lever and 245mm swivel nozzle (Ø 25mm). 50mm-long mounting shank, G3/8" female inlets with check valves, high flow ceramic cartridge, riser tube and spring - stainless steel, brass, chrome plated, black details. 14L/min KLARCO P529 spray valve.	DRN / DIS	CHD / VER	APPR
	E.Artini		
SCALE / SCALA	DATE / DATA	SHEET / PAG	
1:8	10/08/22	1 of 2	
NUMBER / CODICE DIS.	MODEL / PRODOTTO		
	280CN.R031N		

ITEM NO.	SALES NO.	DESCRIPTION
1	P529/"color"	SPRAY VALVE (specify the color)
2	P610	GASKET 1/2" Ø18,5x11 sp.3mm, FASIT OMNIA
3	P511/color	OVERHEAD SPRING INOX SH80 (specify the color)
4	P510	82cm Ø17 F1/2"xF1/2" FLEXIBLE HOSE
5	P007	SPRING CHROMED SUPPORT
6	P580	SPRAY VALVE HOOK CHROMED PLATED
7	P624	KL70-80 RISER W.O-RING
8	VOC0/D	1/2" CERAMIC HEADWORK (RH)
9	H010	DIVERTER KNOB
10	P158	O-RING 106 (Ø6.75x1.78), EPDM 70
11	P616	EXTENSION COPPER PIPE L.140mm w.O-RING
12	F182	L.35cm Flex S.S. Hose Ø10-DN6X Female G3/8" W.Backflow Preventer (L)
13	F181	L.35cm Flex S.S. Hose Ø10-DN6X Female G3/8" W.Backflow Preventer (C)
14	P617	EXTENSION COPPER PIPE L.210mm w.O-RING
15	P236	SPOUT SCREW (short)
16	P072	O-Ring 119 (Ø 15,08 x 2,62mm) EPDM 70
17	P592	SWIVEL SLEEVE
18	P613	#2 OR+#1 SWIVEL SLEEVE KIT FOR FAUCET/OUTLET
19	P621	STREAM REGULATOR OUTLET (Ø25 SPOUT) W. 2.2GPM FLOW RATE
20	C082/8L	SWING NOZZLE Ø25x245 h.70 W.2.2GPM FLOW RATE
21	V070	Ø47 MIXING CARTRIDGE
22	H02K/N	ELBOW OPERATED BLACK LEVER (L.220mm)



PRODUCT COMPLIANCE:

ROHS 2011/65/UE;
REACH 1907/2006;
KTW-BWGL

TITLE / DESCRIZIONE
80 cm-tall SHRINK Single hole, mixing temperature, deck mount Pre-Rinse Unit with 220mm long Sanitary Lever and 245mm swivel nozzle (Ø 25mm). 50mm-long mounting shank, G3/8" female inlets with check valves, high flow ceramic cartridge, riser tube and spring - stainless steel, brass, chrome plated, black details. 14L/min KLARCO P529 spray valve.

DRN / DIS
E.Artini

CHD / VER

APPR

SCALE / SCALA
1:6

DATE / DATA
10/08/22

SHEET / PAG
2 of 2

NUMBER / CODICE DIS.

MODEL / PRODOTTO

280CN.R031N

A4V

This drawing contains proprietary information which is the property of KLARCO S.R.L. without whose written permission it may not be copied, shown or handed to a third party or otherwise used

Questo disegno contiene informazioni di proprietà di KLARCO S.R.L. e senza la sua autorizzazione scritta non può essere copiato, mostrato o ceduto a terzi o in qualsiasi altro modo usato